



## 12W Wall Plug Adapter PSA12x Adapter Series Meets EISA and Energy Star Requirements



### Features

- Double Insulated
- Class B EMI
- Efficiency Level V Compliance
- Less Than 0.3W No-Load Current
- Over-Voltage Protection

### Applications

- Wireless Communications
- Networking
- Portable Equipment
- Peripherals

### Safety Approvals

- cUL/UL (for PSA12A-120)
- PSE (for PSA12A-120)
- BSMI (for PSA12A-120)
- TUV (for PSA12E-120)
- CE (for PSA12E-120)

### Mechanical Characteristics (1)

- Length: 71.5mm (2.81in)
- Width: 33.75mm (1.33in)
- Height: 69.5mm (2.74in)
- Weight: 85g (3.00oz)

### Output Specifications

Model	DC Output Voltage	Load		Ripple (2) P-P (max)	Regulation		Efficiency Level
		Min.	Max.		Line	Load	
PSA12x-120 (3)	12V	0A	1.0A	240mV	±5%		V

Notes:

(1) Dimensions for PSA12A-120 model

(2) Measured with an oscilloscope with 20MHz (or over) Bandwidth. Outputs should be bypassed at a connector with a 0.1uF ceramic capacitor and a 10uF electrolytic capacitor.

(3) x = A for US version, E for EU version

Phihong is not responsible for any error and change. Content is subject to change without notice. Please consult the factory and visit [www.phihong.com](http://www.phihong.com) for the most up-to-date specifications.

**INPUT:**

**AC Input Voltage Rating**  
100 to 240VAC

**AC Input Voltage Range**  
90 to 264VAC

**AC Input Frequency**  
50 to 60 Hz

**AC Input Current**  
0.5A(RMS) max. @ 120VAC  
0.25A(RMS) max. @ 240VAC

**Leakage Current**  
0.25A max. @ 264VAC

**Inrush Current (Cold Start @ ambient 25°C)**  
30A for 120VAC at max. load  
60A for 230VAC at max. load

**Input Power Saving**  
0.3W maximum at no load

**OUTPUT:**

**Efficiency**  
77.76% minimum average efficiency

**Hold-up Time**  
10mS min. @ 120VAC and max. load

**Over Voltage Protection**  
Output voltage shall not exceed 20V

**Short Circuit Protection**  
Continuous short circuit will not produce fire, smoke or excessive heat

**ENVIRONMENTAL:**

**Temperature**  
Operation 0 to +40°C  
Non-operation -40 to +85°C

**Humidity (Relative Humidity)**  
Operation 90% maximum  
Non-operation 90% maximum

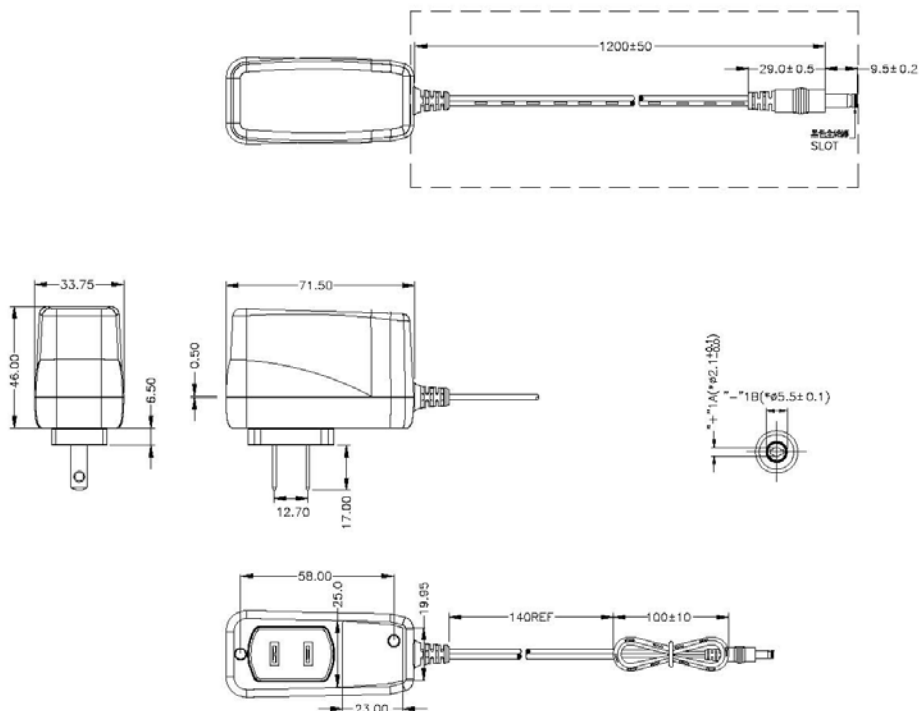
**Emissions**  
FCC Class B  
EN55022 Class B

**Dielectric Withstand (Hi-pot) Test**  
Primary to Secondary: 3000VAC for 1 minute, 10mA

**DC Output Connector**  
2.1x5.5mm Center Positive Standard

**Mating Connector**  
Kycon KLD-0202-A or equivalent

**Dimension Diagram Unit: mm – PSA12A-120**



**Dimension Diagram Unit: mm – PSA12E-120**

