



## 10W Wall Plug Series PSC12x Adapter Series Meets EISA and Energy Star Requirements



### Features

- Double Insulated
- Less Than 0.3W No-Load Current
- Efficiency Level V Compliance
- Class B EMI
- Over Voltage Protection
- Over Current Protection

### Applications

- Wireless Communications
- Networking
- Portable Equipment
- Peripherals

### Safety Approvals

- cUL/UL (for PSC12A)
- SAA (for PSC12S)
- CCC (for PSC12C)
- CE (for PSC12E)
- C-Tick (for PSC12E)

### Mechanical Characteristics (1)

- Length: 71.7mm (2.82in)
- Width: 45mm (1.77in)
- Height: 49.1mm (1.93in)
- Weight: 75g (2.65oz)

### Output Specifications

Model	DC Output Voltage	Load		Ripple (2) P-P (max)	Regulation		Efficiency Level
		Min.	Max.		Line	Load	
PSC12x-050 (3)	5V	0A	2.0A	200mV	±5%		V
PSC12x-090 (3)	9V	0A	1.11A	180mV	±5%		V

Notes:

- (1) Mechanical characteristics for PSC12A models.
- (2) Measured with an oscilloscope with 20MHz (or over) Bandwidth. Outputs should be bypassed at a connector with a 0.1uF ceramic capacitor and a 10uF electrolytic capacitor.
- (3) x = A for US version, E for EU version, K for UK version, S for Australian version., C for China version

Phihong is not responsible for any error and change. Content is subject to change without notice. Please consult the factory and visit [www.phihong.com](http://www.phihong.com) for the most up-to-date specifications.

**INPUT:**

**AC Input Voltage Rating**  
100 to 240VAC

**AC Input Voltage Range**  
90 to 264VAC

**AC Input Frequency**  
47 to 63 Hz

**AC Input Current**  
0.5A(RMS) max. @ 120VAC  
0.25A(RMS) max. @ 240VAC

**Leakage Current**  
0.25A max. @ 264VAC

**Inrush Current (Cold Start @ ambient 25°C)**  
30A for 120VAC at max. load  
60A for 240VAC at max. load

**Input Power Saving**  
0.3W maximum at no load

**OUTPUT:**

**Efficiency**  
73.4% minimum average efficiency for 5V model  
76.6% minimum average efficiency for 9V model

**Hold-up Time**  
10mS min. @ 120VAC and max. load

**Short Circuit Protection**  
Auto restart

**ENVIRONMENTAL:**

**Temperature**  
Operation 0 to +40°C  
Non-operation -40 to +85°C

**Humidity (Relative Humidity)**  
Operation 10% to 90% non-condensing  
Non-operation 5% to 95%, non-condensing

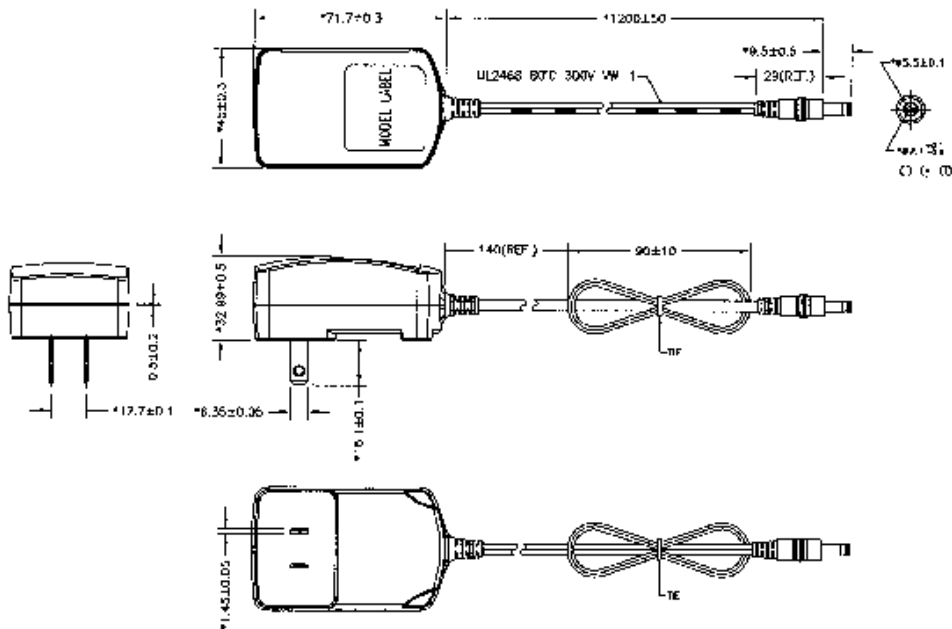
**Emissions**  
FCC Class B  
EN55022 Class B

**Dielectric Withstand (Hi-pot) Test**  
Primary to Secondary: 3000VAC for 1 minute, 10mA

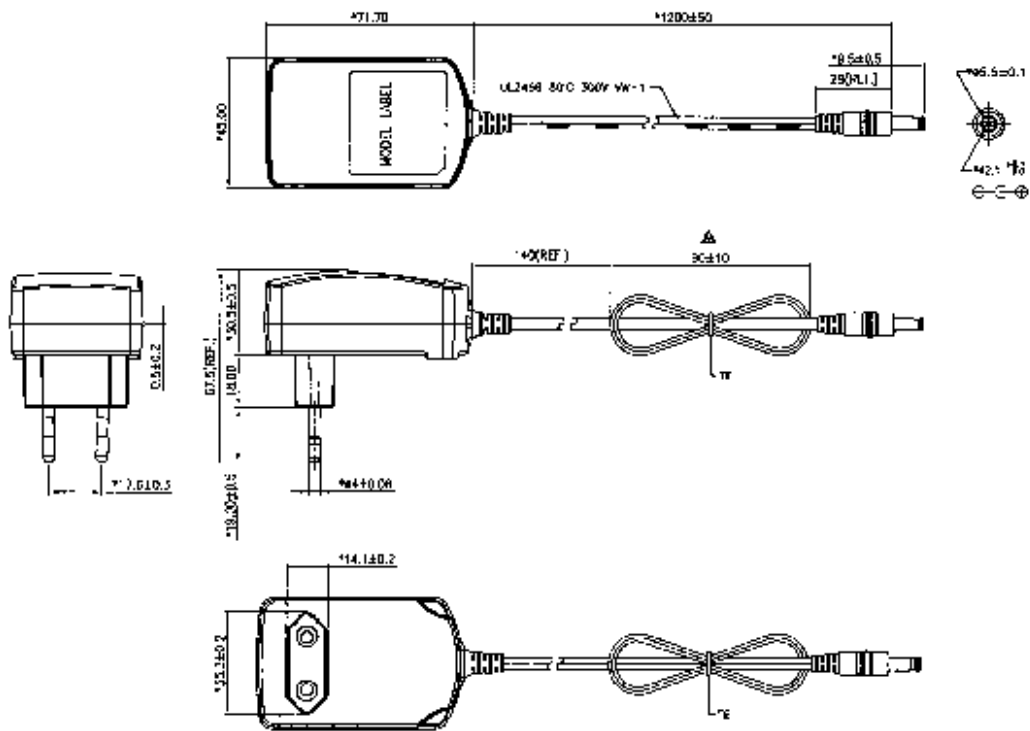
**DC Output Connector**  
2.1x5.5mm Center Positive Standard

**Mating Connector**  
Kycon KLD-0202-A or equivalent

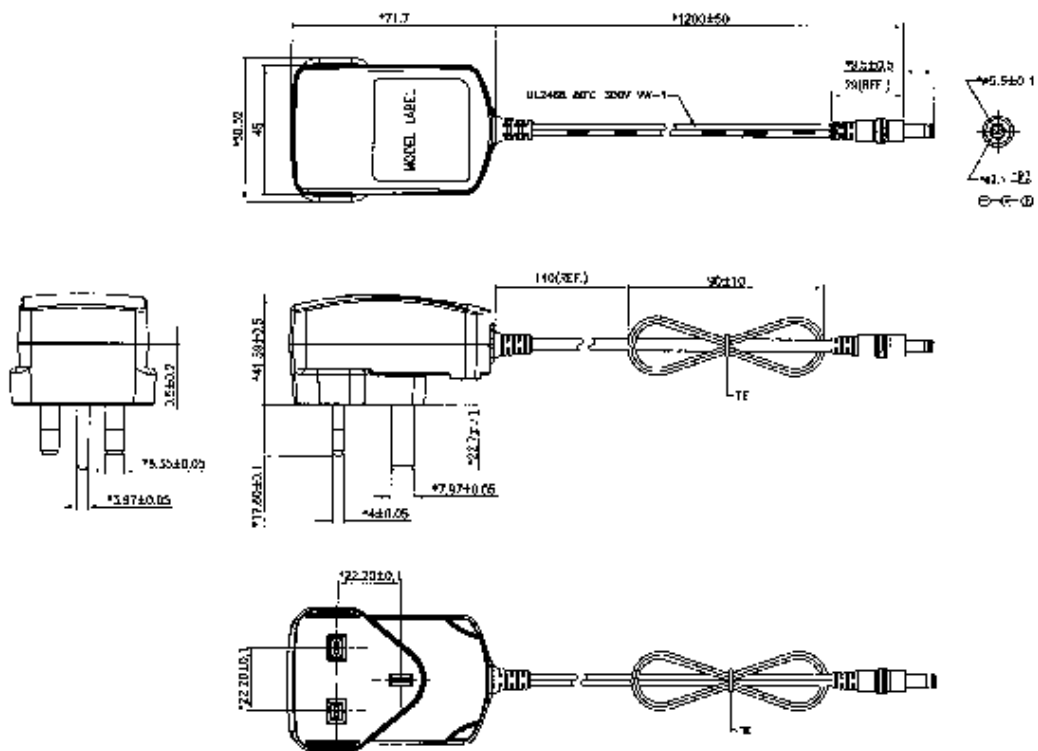
**Dimension Diagram Unit: mm – PSC12A**



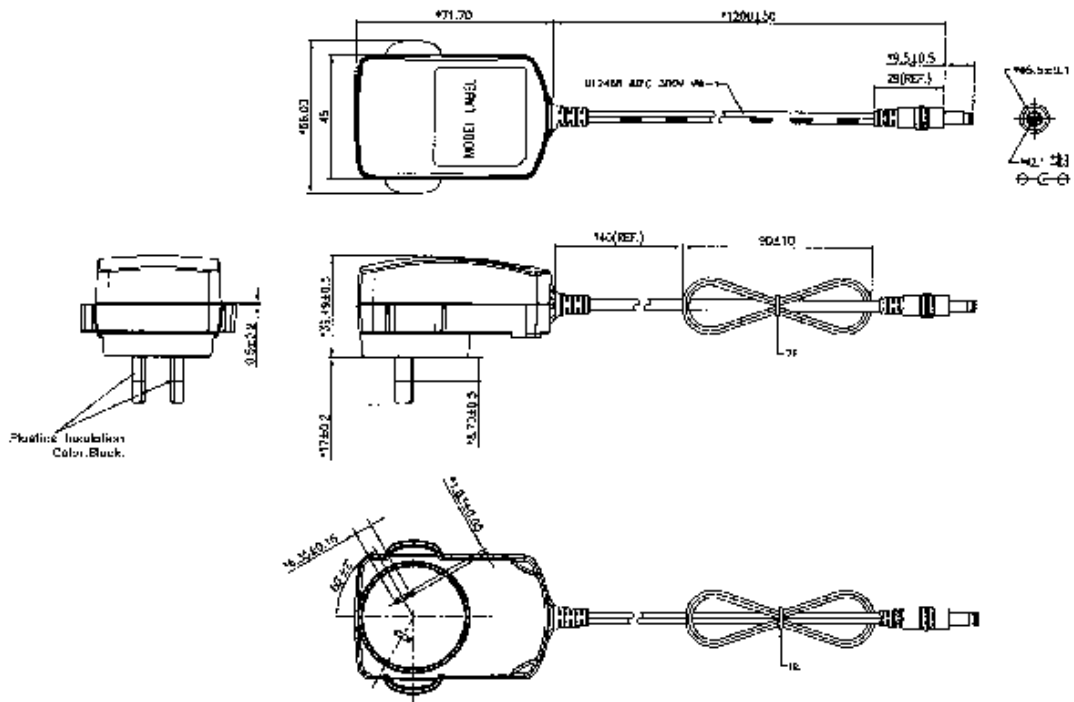
**Dimension Diagram Unit: mm – PSC12E**



**Dimension Diagram Unit: mm – PSC12K**



**Dimension Diagram Unit: mm – PSC12S**



**Dimension Diagram Unit: mm – PSC12C**

